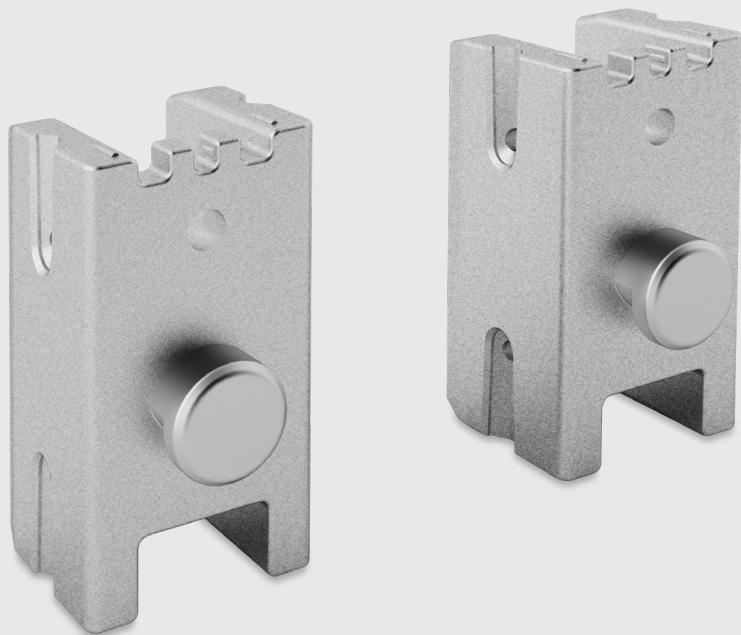


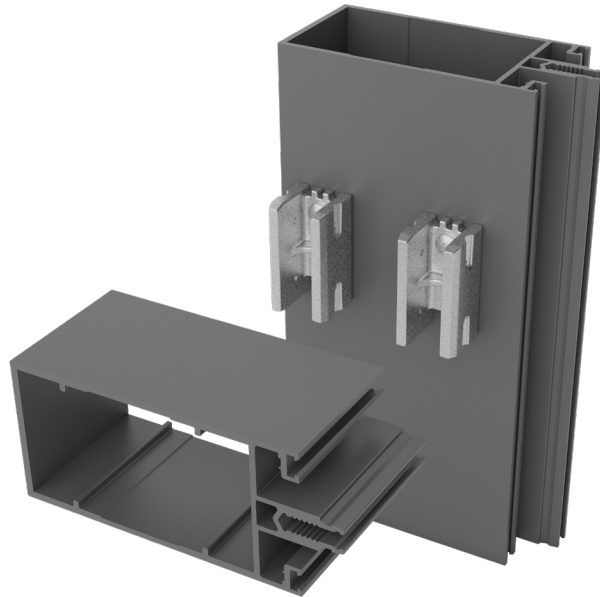
DOUBLE DENALI



*Quick and easy
assembly*



DOUBLE DENALI



Universal die-cast aluminum bracket for sequential assembly of curtain wall systems. This double bracket can be used to install all transoms of the same series with different widths. This system eliminates the time-consuming installation by screws and allows a quick and accurate fastening thanks to the holes drilled on the mullion. With fixed anchoring buttons and safety screw. **Patented.**

- +** Quick and easy assembly
- +** High load capacity
- +** Adjustable in width