

FUJI 2200

FUJI 2000 Evolution

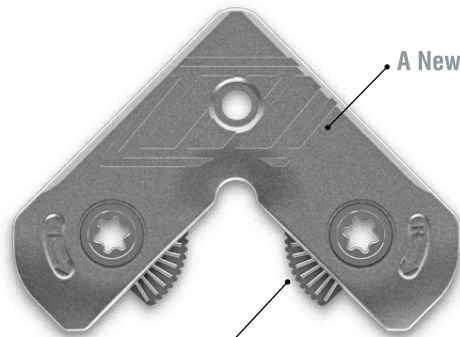


The next generation is here!



FUJI 2200

FUJI 2000 Evolution



A New design

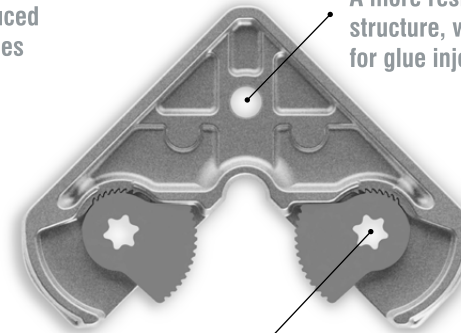
Enlarged cams
for a perfect, stable
over time clamping

FUJI 2200 enhances the performances of FUJI 2000, the only corner bracket which can be fixed after the corner has been assembled. You can use FUJI 2200 instead of FUJI 2000. The new design of FUJI 2200 increases the sturdiness and improves the gauges, in comparison with FUJI 2000. In addition to this, the enlarged cams guarantee a perfect clamping with the Phillips Torx key.

The Anti-corrosion treatment  is performed on this item. **Patented.**



Reduced gauges



A more resistant
structure, with a channel
for glue injection

New, Phillips-shaped
grooves for a calibrated
clamping with a Torx Key

- + New design
- + Reduced gauges
- + Enlarged cams for a perfect, stable over time clamping
- + Phillips-shaped grooves for the key, for a calibrated clamping with the Torx key