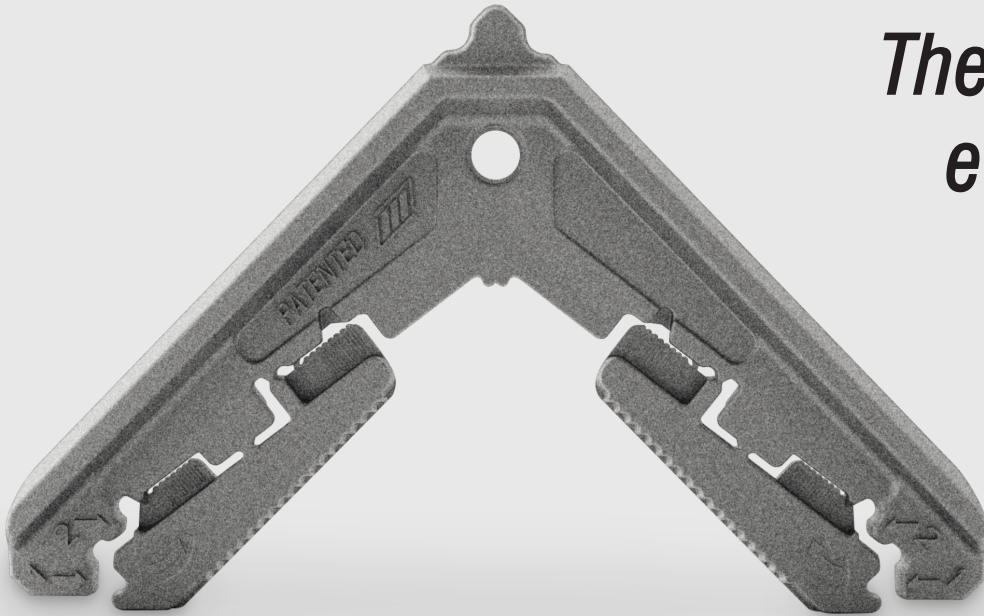
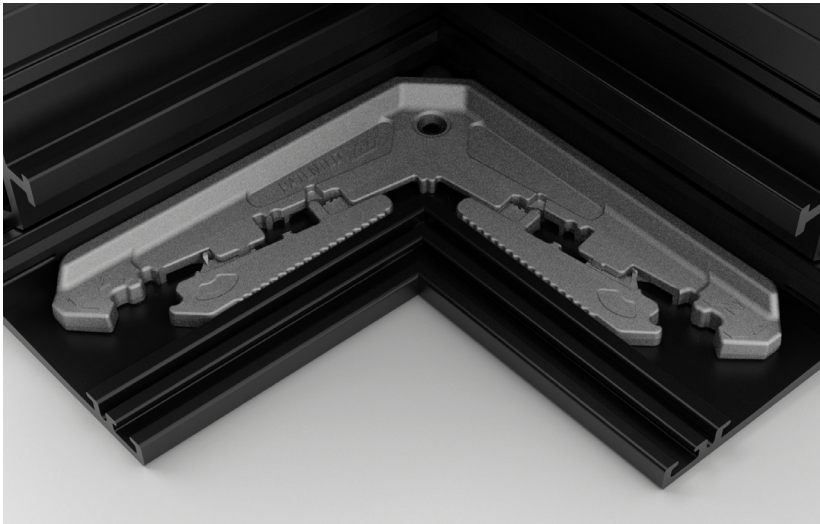


# LOGAN



*The alignment  
evolution*





Die-cast aluminum corner joint with alignment and tightening function. Thanks to the two conical slides tightened with a simple slotted screwdriver, it aligns and closes the profile flawlessly. It can be installed on assembled profiles and, if necessary, easily disassembled. No profile processing is required. It has specific glue channels to guarantee perfect sealing and greater strength while avoiding any waste or spill. **Patented.**

- + No profile processing
- + Installation on assembled profiles
- + Profile alignment and tightening
- + Minimal clearance

