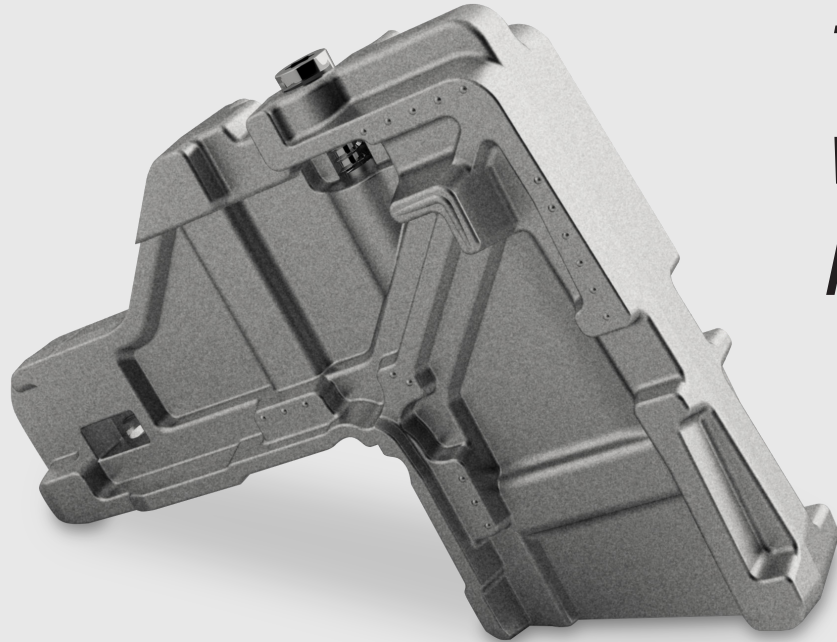


# VENTOUX



*The shutter  
with no visible  
processing*





Die-cast aluminum corner joint specifically designed for shutters. Thanks to its unique anchoring system, it allows to hide all inside processing, only leaving two visible screws on the lower side. If necessary, the shutter can be disassembled to replace both the louvers and the hardware. A small notch adjacent to the screw holes allows any condensation to be drained. **Patented.**

- + No visible processing
- + Condensation draining